

**TRADITIONAL BOX SASH WINDOW**

TITLE

**ELEVATION DRAWING**

DRAWING No.

**BOX-160/01**

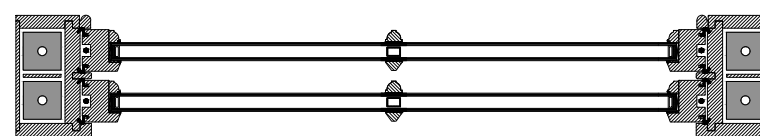
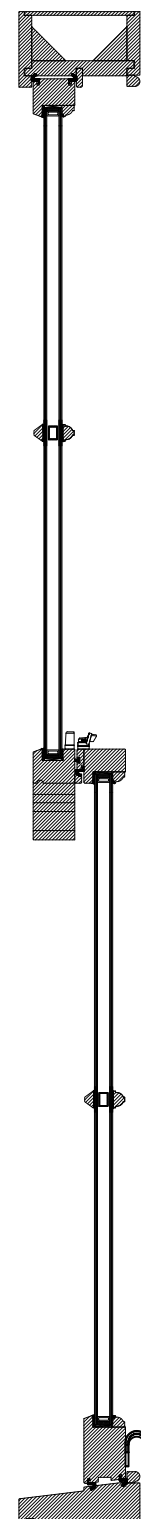
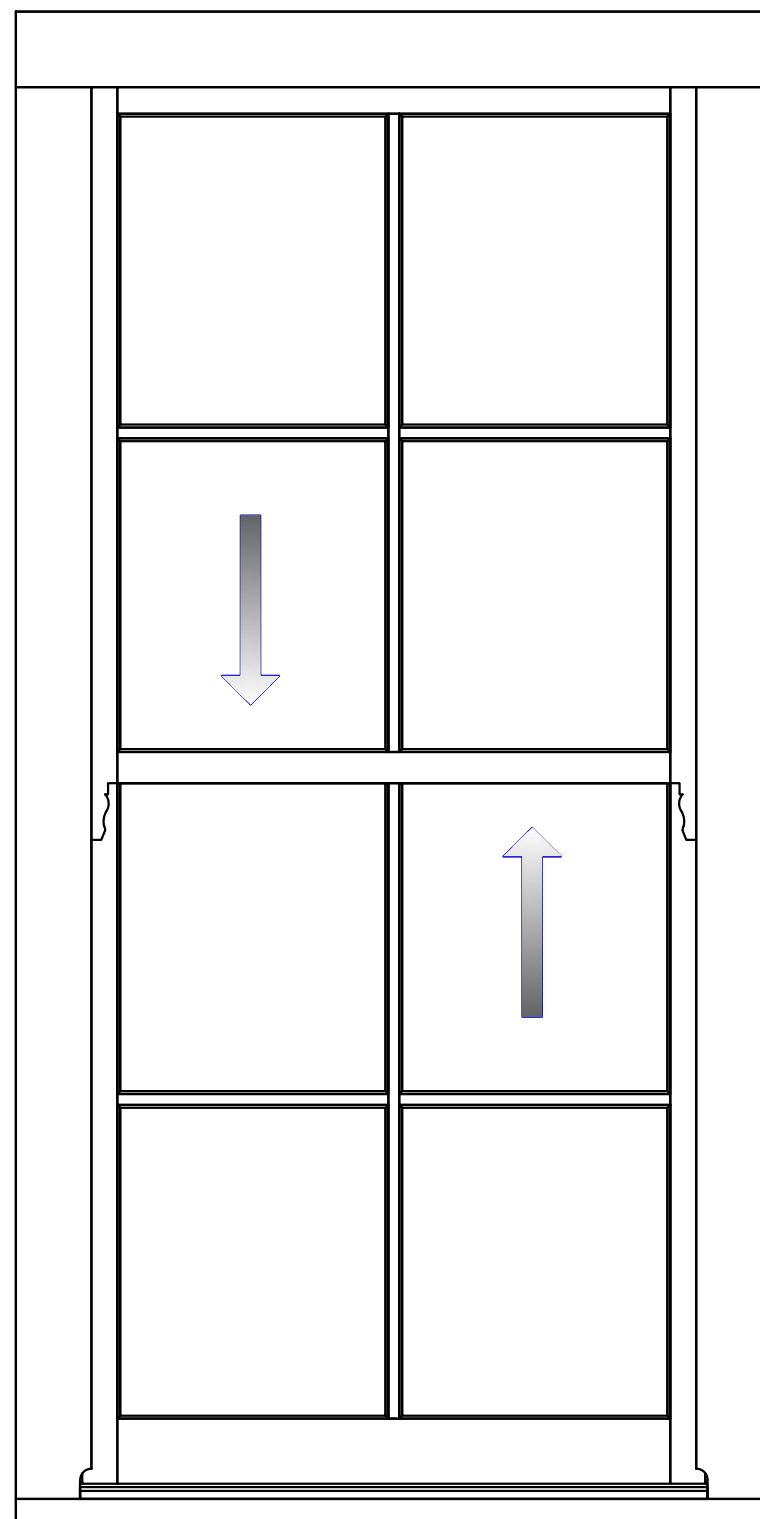
DATE

**2018/06/06**

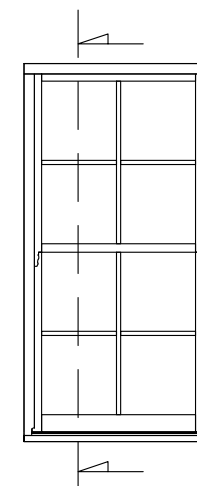
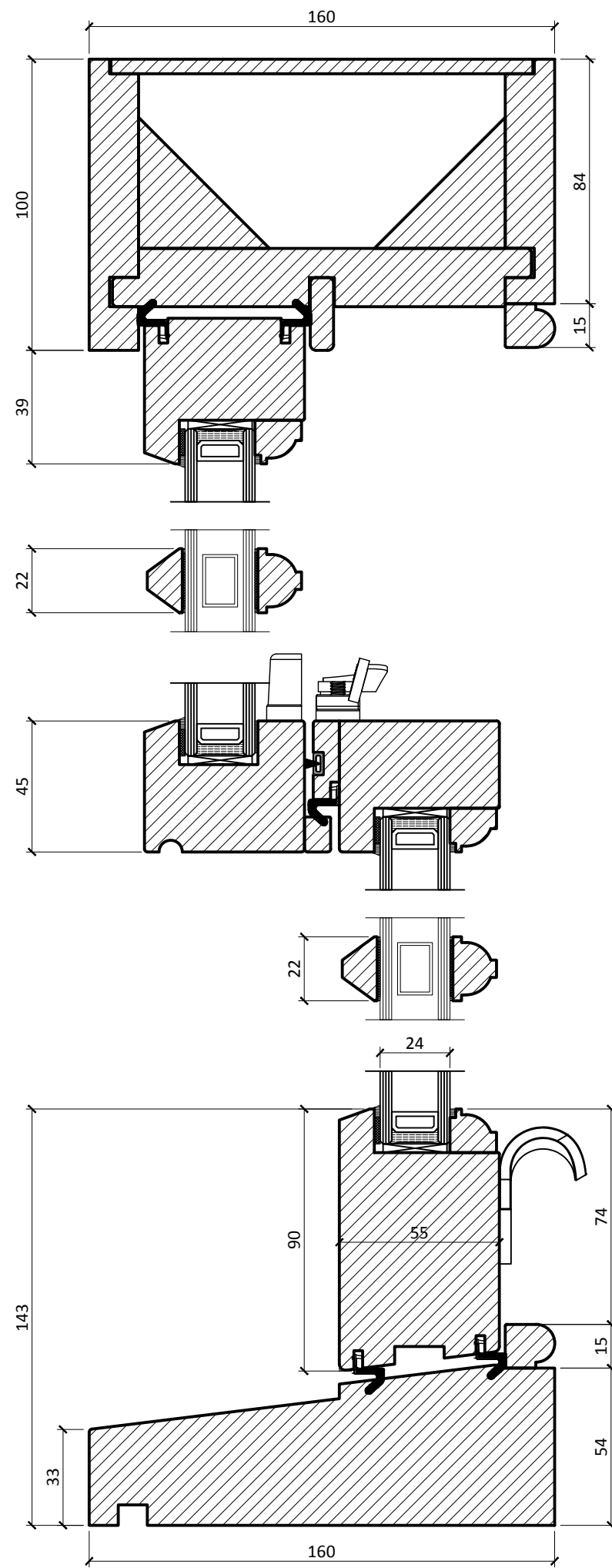
SCALE

**1:10 @ A3**

CONSTRUCTION DETAILS



Material	Manufactured in selected engineered laminated pine or hardwood, sourced from sustainable and managed forestry (FSC or PFEC certified)
Mechanism	Sashes are hung on cords or chains, operating over pulleys and counter balanced with lead weights
Weatherseal	The window is fully weather sealed to BS EN 6375-1 2009
Glazing	Windows are internally beaded with the external rebate up stand to give the appearance of putty glazing
Glass	The window is factory glazed with 24 mm thickness dual sealed units
Thermal Performance	Thermal performance is calculated by the standards of EN ISO 10077-1:2006 and typically this window achieves a U-value of 1.6 W/m <sup>2</sup> K or better
Glazing Bars	Applied bars are used to achieve the slim section of traditional glazing bars. These are applied with double sided glazing tape to both faces of the sealed unit and capped with clear silicone
Cills	Manufactured in Hardwood with options of cill projections
Horns	Solid feature horns to top sashes are included as standard (See Drawing No H-001)
Fittings	A lockable Fitch fastener and two finger pulls to the bottom sash with options in colour and finish
Ventilation	A controllable trickle ventilator can be fitted to the window dependant on width of frame (See Drawing No BOX-160/09)
Restrictors	Restrictors which allows the opening of the sash to be restricted to 100mm is an option
Factory Finishing	To ensure the smooth operation and optimum performance of the window, we apply 3 coats of sprayed applied microporous water based paint system



PRODUCT TYPE	
<b>TRADITIONAL BOX SASH WINDOW</b>	
TITLE	
VERTICAL SECTION	
DRAWING No.	
BOX-160/02.1	
DATE	SCALE
2018/06/06	1:2 @ A3

CONSTRUCTION DETAILS

PRODUCT TYPE

# TRADITIONAL BOX SASH WINDOW

TITLE

## HORIZONTAL SECTION

DRAWING No.

BOX-160/03.1

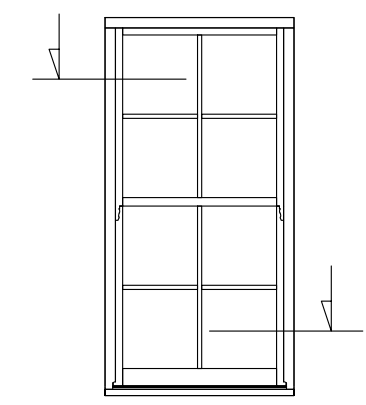
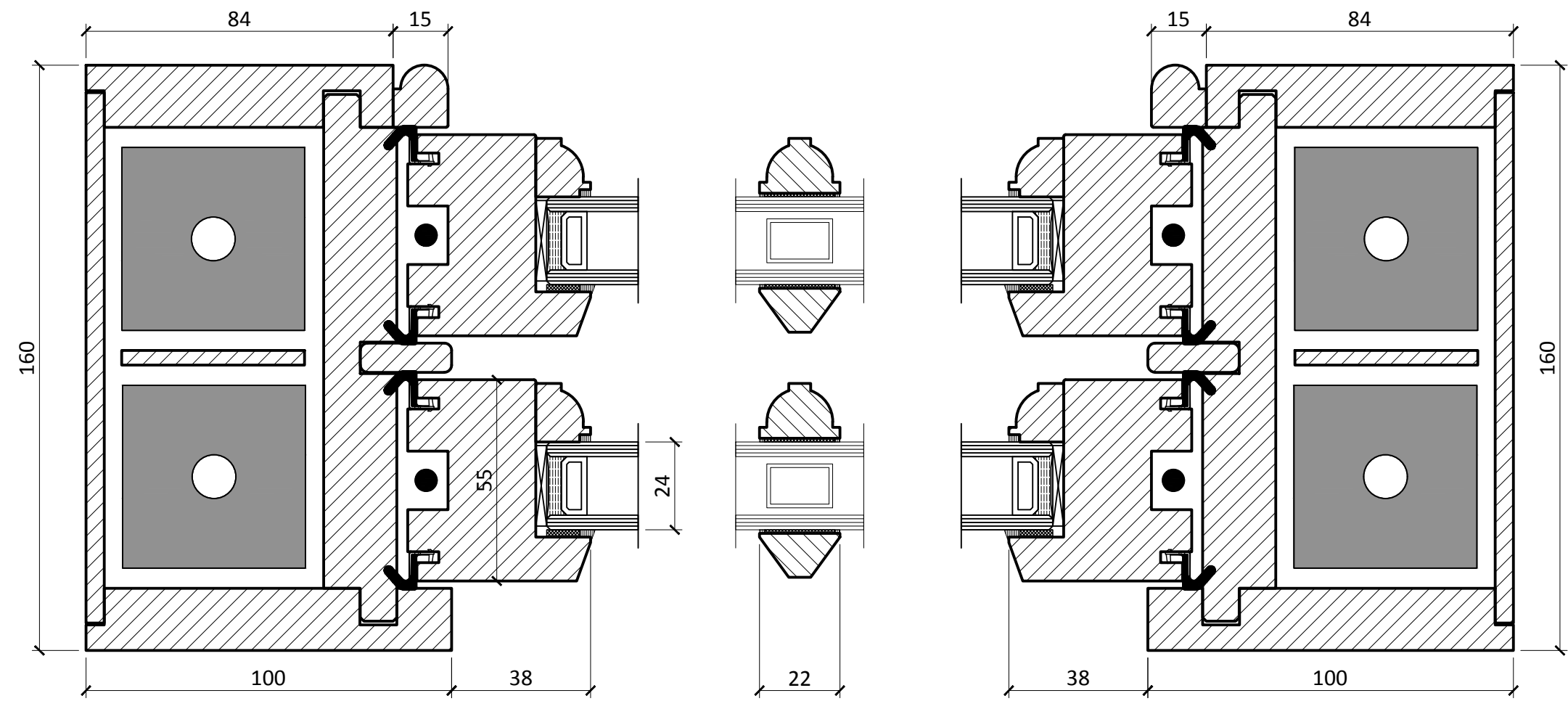
DATE

2018/06/06

SCALE

1:1.5 @ A3

CONSTRUCTION DETAILS



# TRADITIONAL BOX SASH WINDOW

TITLE

## GLAZING BAR AND BEAD OPTIONS

DRAWING No.

BOX-160/04.1

DATE

2018/06/06

SCALE

1:1 @ A3

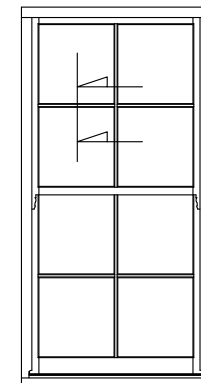
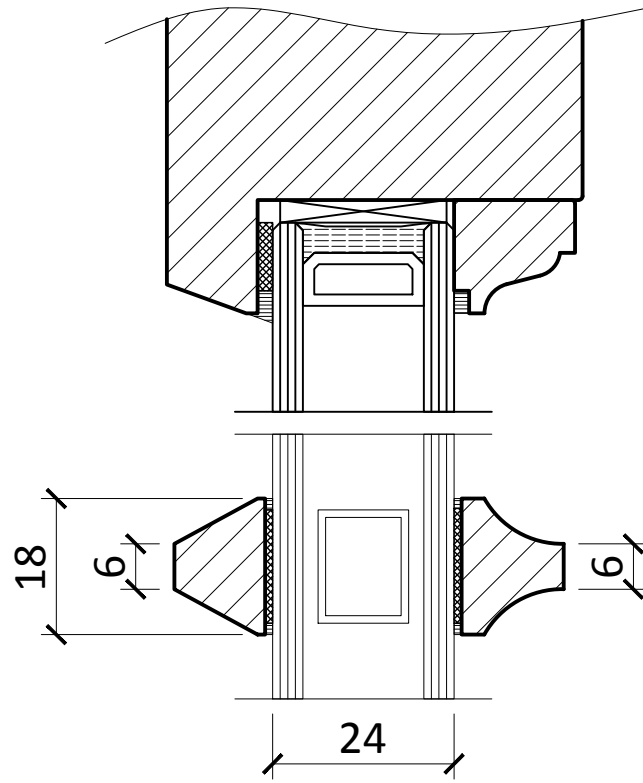
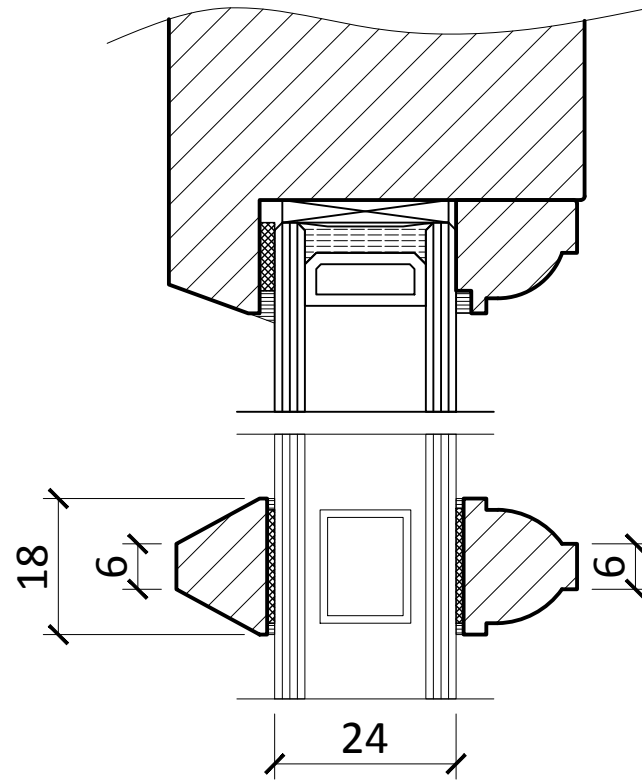
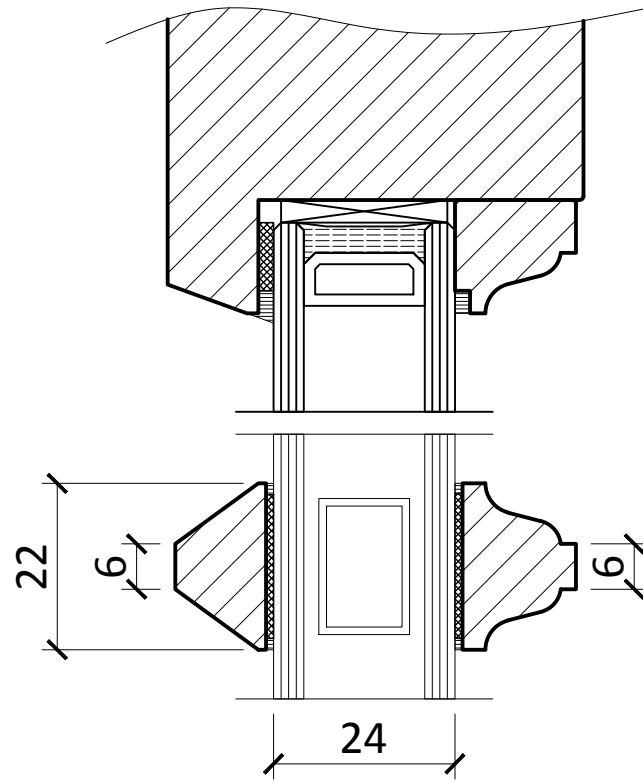
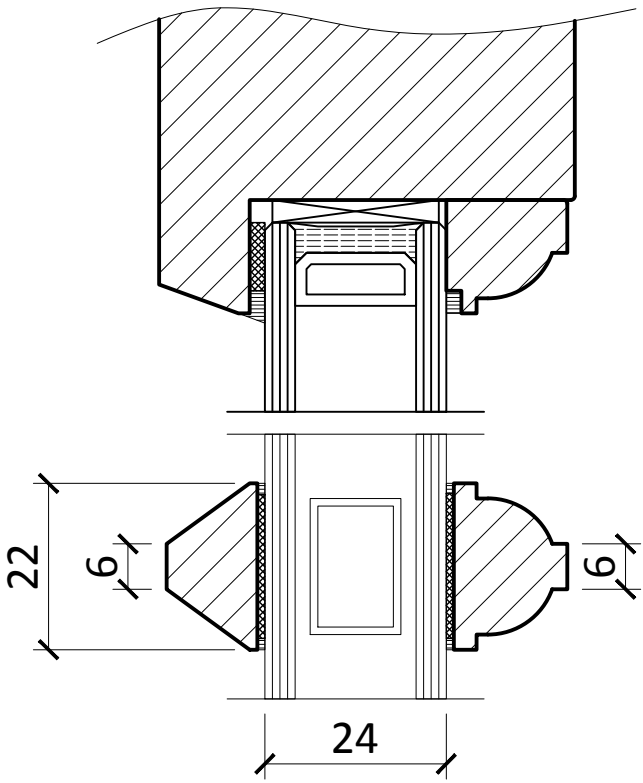
CONSTRUCTION DETAILS

### Ovolo Profile 1

### Lambs Tongue Profile 1

### Ovolo Profile 2

### Lambs Tongue Profile 2



# TRADITIONAL BOX SASH WINDOW

TITLE

## MULLION DETAIL

DRAWING No.

BOX-160/05.1

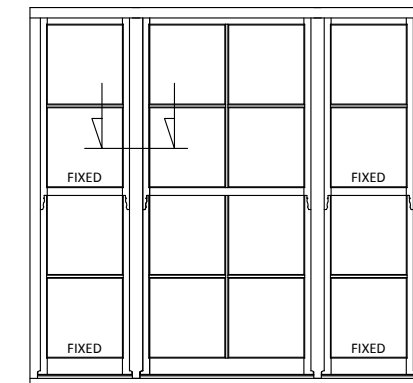
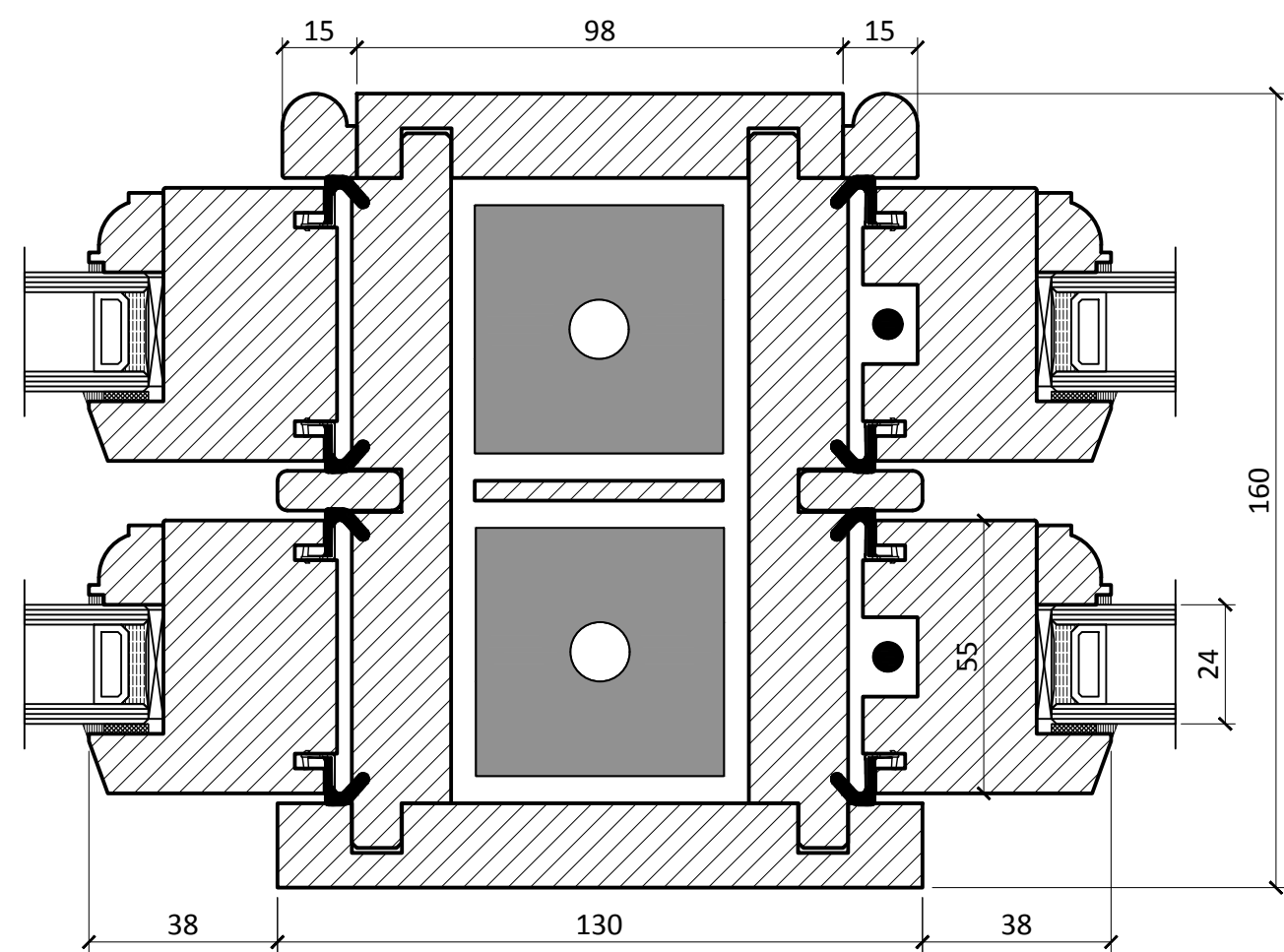
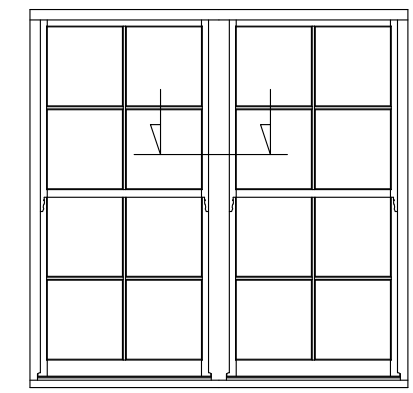
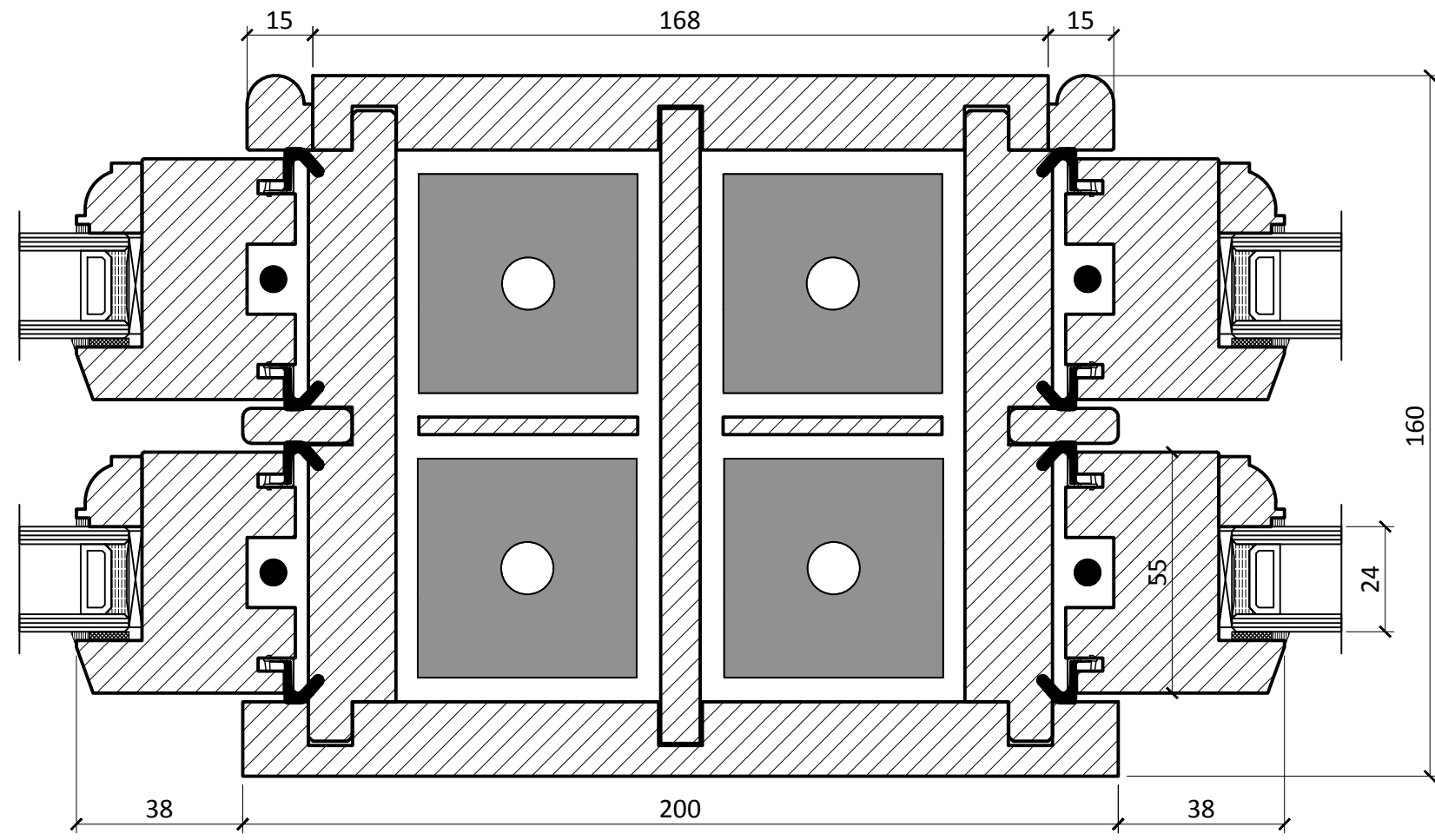
DATE

2018/06/06

SCALE

1:1.5 @ A3

CONSTRUCTION DETAILS



PRODUCT TYPE

# TRADITIONAL BOX SASH WINDOW

TITLE

## CILL EXTENSION OPTIONS

DRAWING No.

BOX-160/06

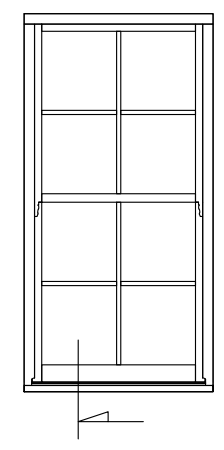
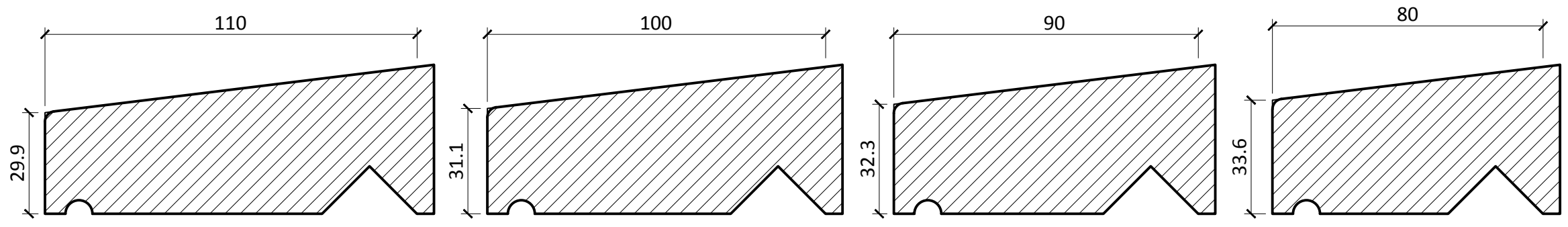
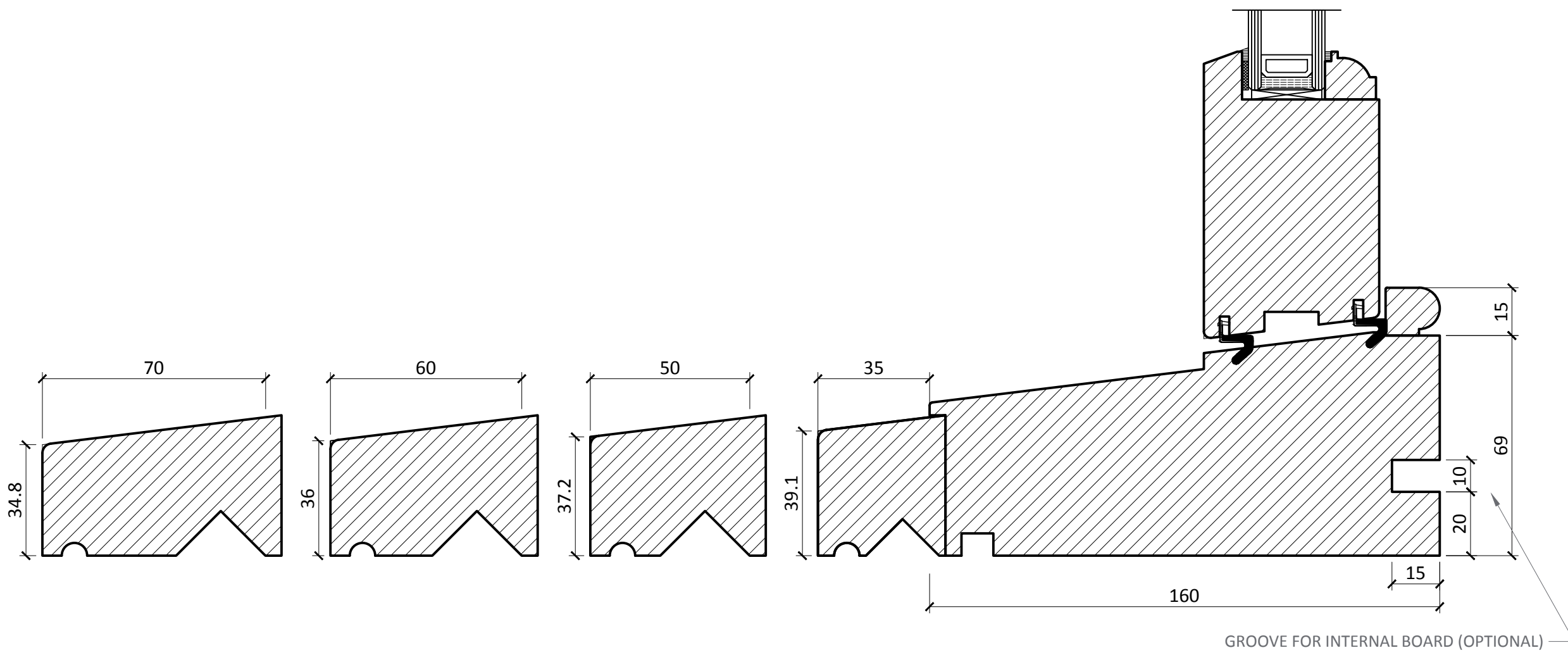
DATE

2018/06/06

SCALE

1:1.5 @ A3

CONSTRUCTION DETAILS



# TRADITIONAL BOX SASH WINDOW

TITLE

## SASH HORN OPTIONS

DRAWING No.

H-001

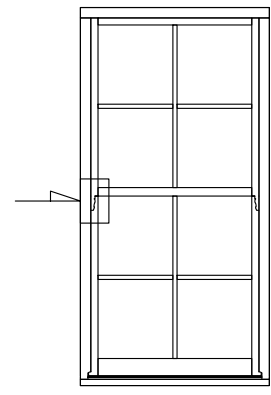
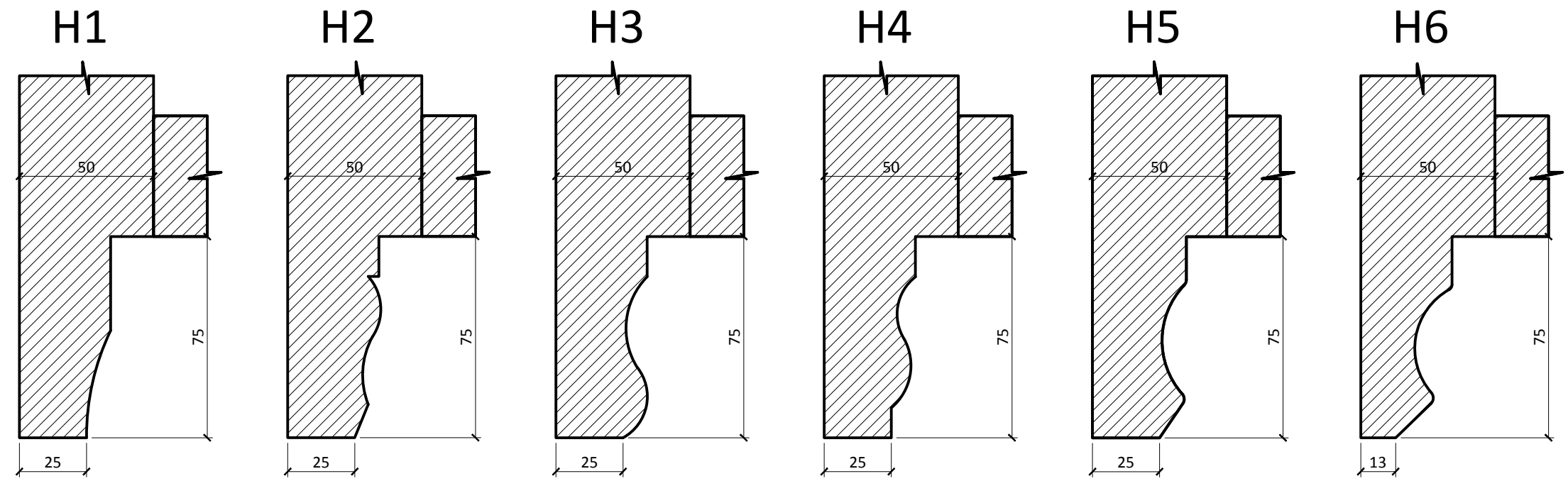
DATE

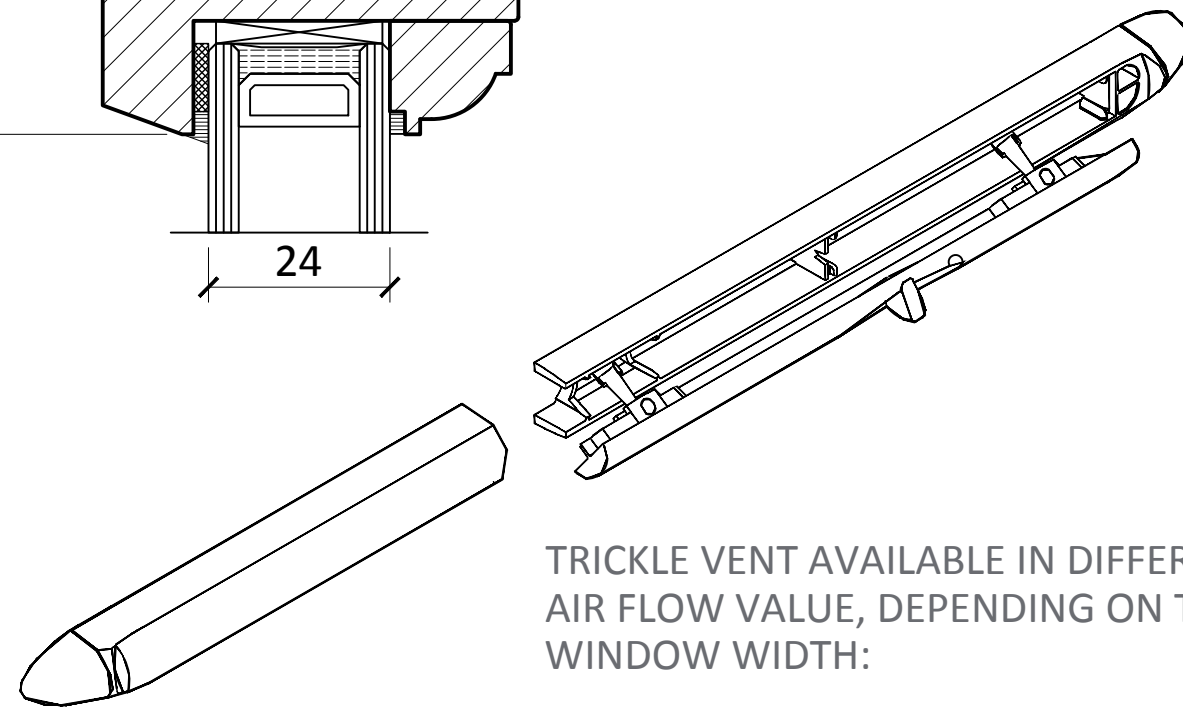
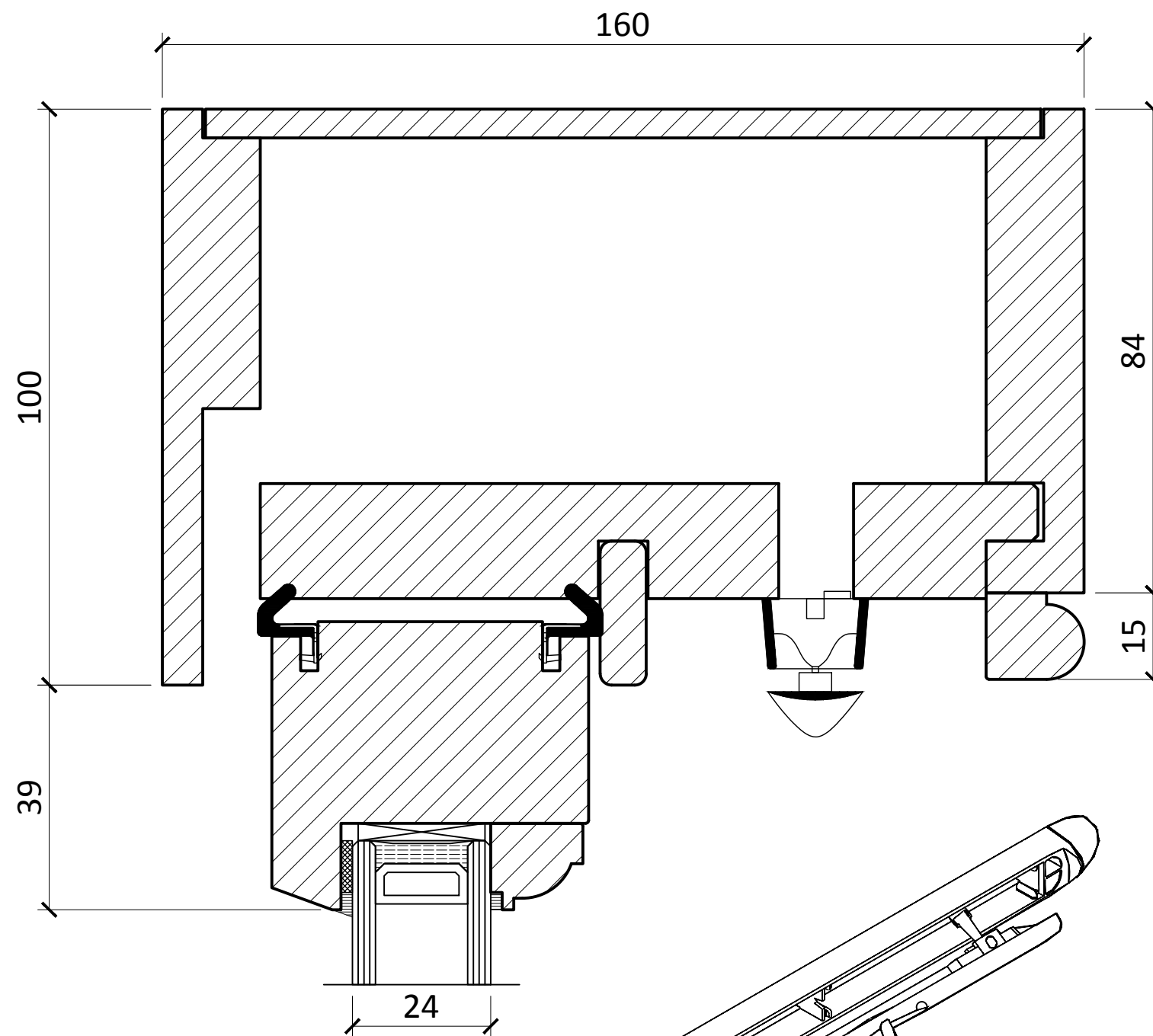
2018/06/06

SCALE

1:2 @ A3

CONSTRUCTION DETAILS



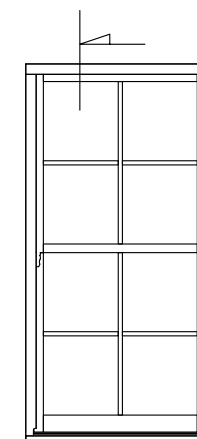


TRICKLE VENT AVAILABLE IN DIFFERENT AIR FLOW VALUE, DEPENDING ON THE WINDOW WIDTH:

\* - 1700 mm<sup>2</sup> EA

\* - 4400 mm<sup>2</sup> EA

\* - 5000 mm<sup>2</sup> EA



PRODUCT TYPE	
<b>TRADITIONAL BOX SASH WINDOW</b>	
TITLE	
<b>CONCEALED TRICKLE VENT</b>	
DRAWING No.	
<b>BOX-160/07</b>	
DATE	SCALE
<b>2018/06/06</b>	<b>1:1 @ A3</b>

CONSTRUCTION DETAILS